



## DESCRIPTION

A SEMI FRAME-LESS BALUSTRADE SOLUTION, WITH THE GLASS BEING CAPTURED WITHIN THE POSTS, AND THE HANDRAIL MOUNTED ABOVE THE GLASS THE PLATINUM SUITE IS ONE OF OUR MOST COST EFFECTIVE SOLUTIONS FOR GLAZED BALUSTRADING

## COMMERCIAL APPLICATION

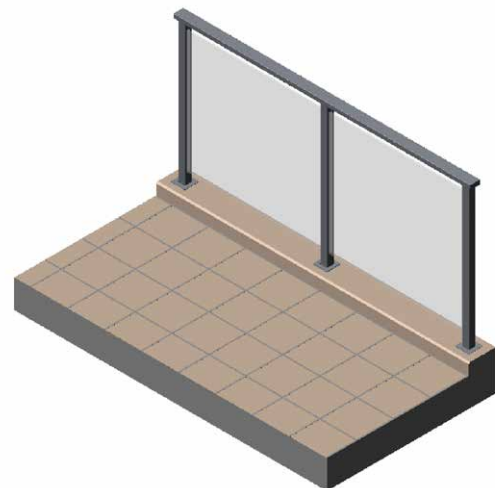
Typically up to 20 storeys (5kPa ULS). Alternative and custom design options for higher wind loads are available with thicker post material and glass.

## KEY FEATURES

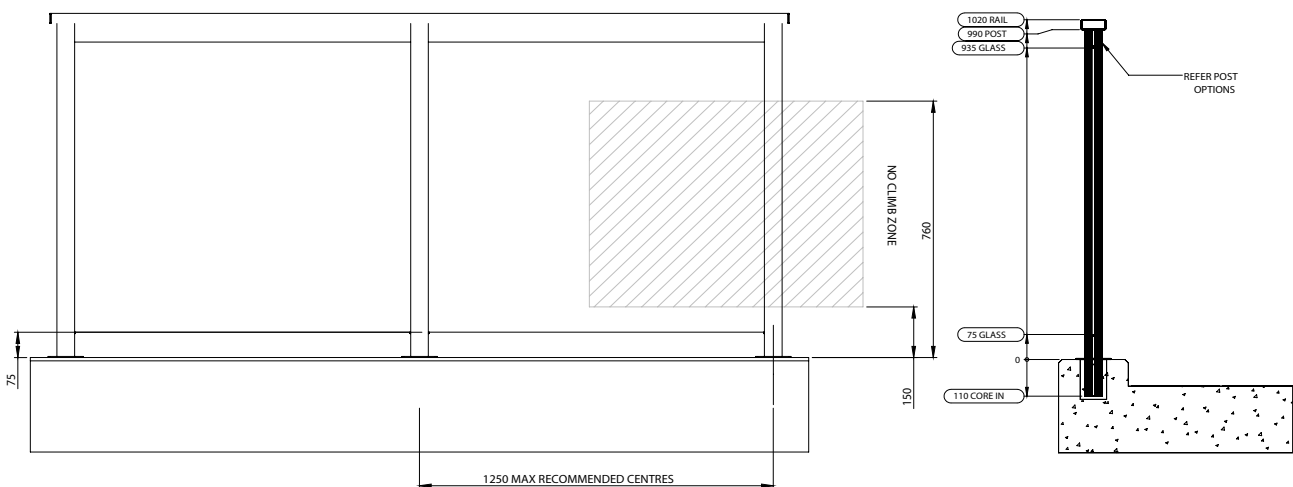
Locally pre-manufactured welded system, for a stronger and longer lasting finish.

Faster install time due to less mechanical fixings on site and less points of failure

POWDER COATED



## ELEVATION AND SECTION VIEW



## SPECIFIC DIMENSIONS

Balustrade up to 1200mm high, typical 1200 max centres. Glass to protrude no more than 150mm from top of post. Alternative and custom design options for higher balustrades are available.

## MATERIAL:

Aluminium frame powder coated, glass is 10mm Clear Toughened Heat Soaked.

**Alternative glass colours and thicknesses are available.**

## RECOMMENDED POWDER COAT SUPPLIERS COLOUR RANGE:

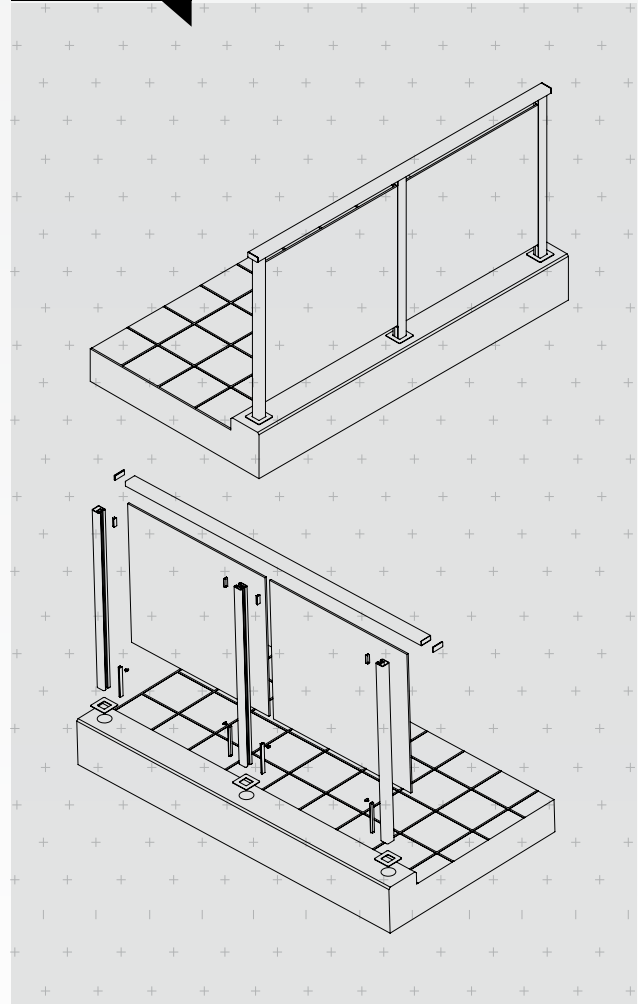
Dulux Duratec  
Interpon Ultriva

**Custom colours available, however attract additional lead time and cost.**

## LEAD-TIME

Typically 2 weeks from shop drawing approval to site.  
30 mins a metre to manufacture per person  
60 mins per metre to install per crew.

## PROFILES



**CONTACT AN AMA SPECIALIST  
TODAY AND FIND OUT HOW  
OUR TEAM CAN ENSURE YOUR  
PROJECT IS UNIQUE, ON TIME  
AND MEETS BUDGET.**

Telephone: (07) 5493 8333  
Email: [admin@amau.com.au](mailto:admin@amau.com.au)  
Address: 15-17 Bearing Ave, Warana, QLD, 4575  
Postal Address: PO Box 460 Buddina, QLD, 4575