



DESCRIPTION

A SEMI FRAMELESS BALUSTRADE SOLUTION WITH THE GLASS BEING CAPTURED VIA THE POSTS AND THE HANDRAIL OFFSET ON THE INSIDE OF THE GLASS CREATING A MINIMALIST ASCETIC APPEARANCE EXTERNALLY.

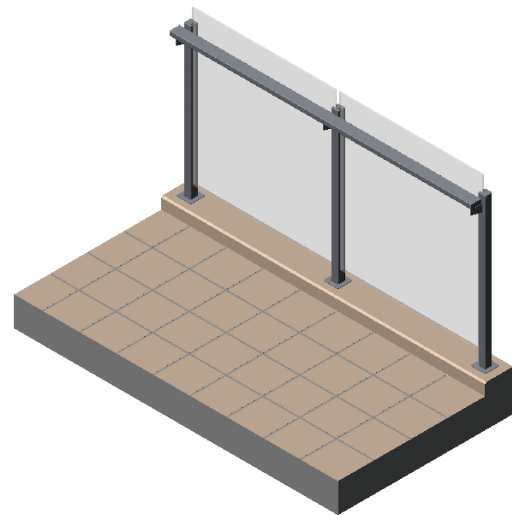
COMMERCIAL APPLICATION

Typically up to 20 storeys (5kPa ULS). Alternative and custom design options for higher wind loads are available with thicker post material and glass.

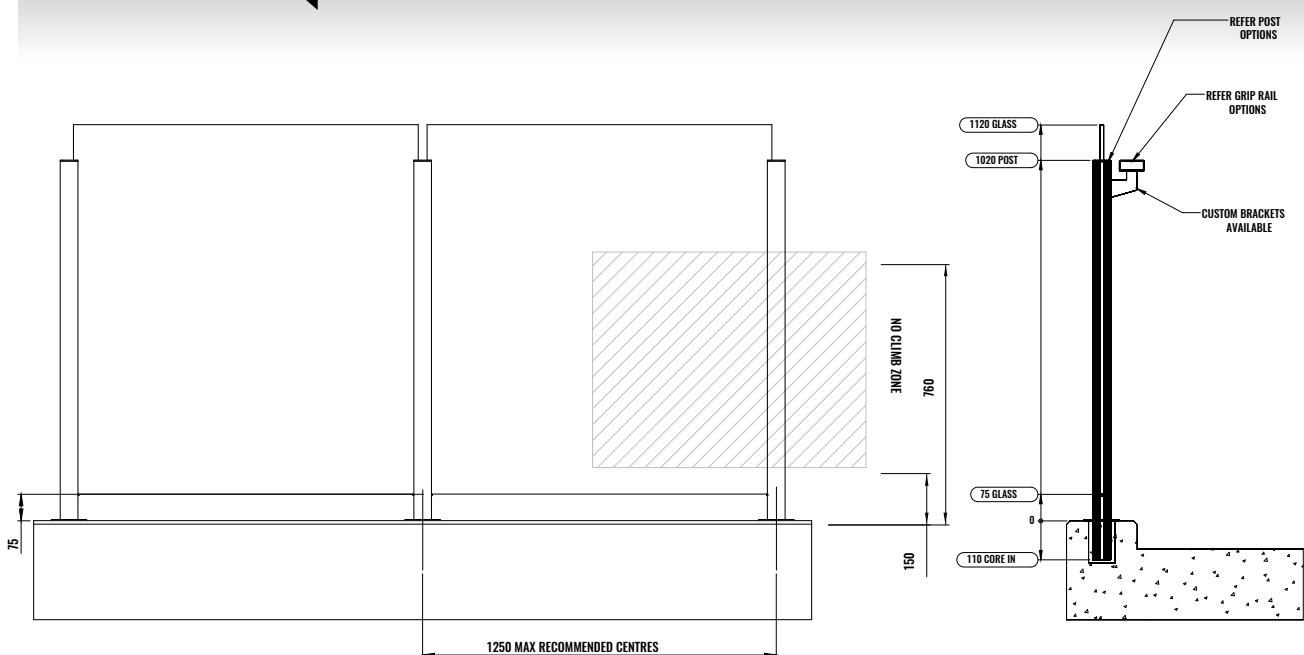
KEY FEATURES

Locally pre-manufactured and welded system for a stronger and longer lasting finish, faster installation due to less mechanical fixings onsite and less points of failure.

POWDER COATED



ELEVATION AND SECTION VIEW



SPECIFIC DIMENSIONS

Balustrade up to 1200mm high, typical 1200 max centres. Glass to protrude no more than 150mm from top of post. Alternative and custom design options for higher balustrades are available.

MATERIAL:

Aluminium frame powder coated, glass is 10mm Clear Toughened Heat Soaked.

Alternative glass colours and thicknesses are available.

RECOMMENDED POWDER COAT SUPPLIERS COLOUR RANGE:

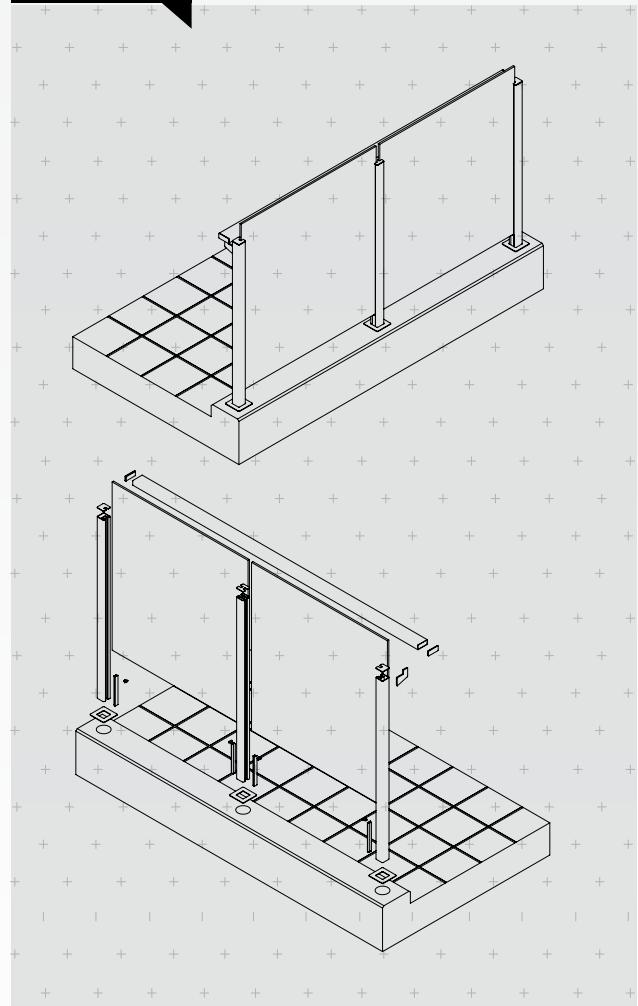
Dulux Duratec
Interpon Ultriva

Custom colours available, however attract additional lead time and cost.

LEAD-TIME

Typically 2 weeks from shop drawing approval to site.
30 mins a metre to manufacture per person
60 mins per metre to install per crew.

PROFILES



**CONTACT AN AMA SPECIALIST
TODAY AND FIND OUT HOW
OUR TEAM CAN ENSURE YOUR
PROJECT IS UNIQUE, ON TIME
AND MEETS BUDGET.**

Telephone: (07) 5493 8333
Email: admin@amau.com.au
Address: 15-17 Bearing Ave, Warana, QLD, 4575
Postal Address: PO Box 460 Buddina, QLD, 4575